

TECHNICAL DATA SHEET FOR Gas Cooktop / Griddle 600mm C6D, C6C, C6B



C6D

- 600mm wide
- Stainless steel finish
- 22MJ burners
- Cast iron burners and vitreous enamel pot stands
- 2 or 4 open burner configuration
- Griddle options – 300mm and 600mm machine finished 12mm thickness, with piezo ignition
- Open cabinet base for extra storage
- Adjustable front feet and rear rollers
- Fully modular
- Optional: Flame failure protection on open burners

Overall Construction

Cast iron open burner heads with vitreous enamelled cast iron caps

Vitreous enamelled potstands

12mm machined surface mild steel griddle plates

Stainless steel front, sides and splashback

Stainless steel cabinet interior base

Aluminised steel spill tray

Griddle sections are standard on RH side only.

50mm dia. stainless steel adjustable legs to front and two rollers at rear

Controls

Large easy use control knobs

Variable high to low controls to open and griddle burners

Optional flame failure on open burners

Griddles standard with pilot, flame failure and piezo ignition

Cleaning and Servicing

Easy clean stainless steel exterior

Vitreous enamelled potstands and burner caps

Lift off open burner caps and removable burners

Removable spill trays

Stainless steel grease trays on griddles

Access to all parts from front of unit

TECHNICAL DATA SHEET FOR Gas Cooktop / Griddle 600mm C6D, C6C, C6B

Burners

Open Burners;
22MJ/hr, 5.5kW each
Griddle Burners;
20MJ/hr, 5.0kW per 300mm section

Gas power

C6D 88MJ/hr, 22kW
C6C 64MJ/hr, 16kW
C6B 40MJ/hr, 10kW

Gas connection

R³/₄ (BSP) male
130mm from RH side, 20mm from
rear, and 655mm from floor

*All units supplied with Natural and
LP gas regulator*

Dimensions

Width 600mm
Depth 800mm
Height 915mm
Incl. splashback 1085mm

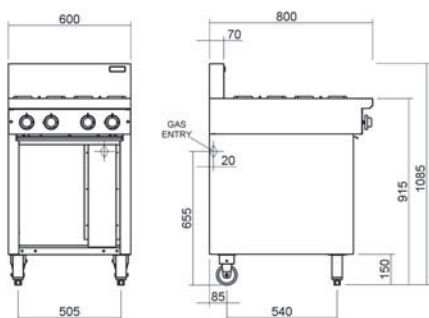
Packing data

0.70m³
Width 640mm
Depth 865mm
Height 1255mm
72kg nett weight
122kg packed weight

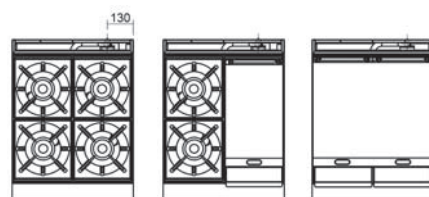
Gas types

Available in Natural gas and LP gas,
please specify when ordering

Other gas types on request



C6



C6D

C6C

C6B

MOFFAT®

www.moffat.com.au

Australia
Moffat Pty Limited

Victoria/Tasmania
740 Springvale Road
Mulgrave, Victoria 3170
Ph 03-9518 3888
Fax 03-9518 3833
vsales@moffat.com.au
www.moffat.com.au

New South Wales
Ph 02-8833 4111
nswsales@moffat.com.au

South Australia
Ph 03-9518 3888
vsales@moffat.com.au

Queensland
Ph 07-3630 8600
qldsales@moffat.com.au

Western Australia
Ph 08-9202 6820
bgarcia@moffat.com.au

New Zealand
Moffat Limited

Christchurch
16 Osborne Street
Christchurch 8011
Ph +64 3-389 1007
Fax +64 3-389 1276

Auckland
Ph +64 9-574 3150

export@moffat.co.nz
www.moffat.co.nz



ISO9001
Quality
Management
Standard

Designed and manufactured by

MOFFAT®

ISO9001
All Cobra products are designed and
manufactured by Moffat using the
internationally recognised ISO9001
quality management system, covering
design, manufacture and final
inspection, ensuring consistent high
quality at all times.



In line with policy to continually develop
and improve its products, Moffat Limited
reserves the right to change
specifications and design without notice.