

## Gas Griddle Toaster 900mm

CT9



### OVERALL CONSTRUCTION

- 12mm machined surface mild steel griddle plate
- Stainless steel sides, splashguard and control panel
- Three burners with individual pilot and flame failure
- Aluminised steel crumb tray and cabinet interior
- Chrome plated toasting rack and rack supports
- Three stainless steel grease trays
- 50mm dia. stainless steel adjustable legs to front and two rollers at rear

### CONTROLS

- Large easy use control knobs
- Triple controls with variable high to low burner setting
- Flame failure pilot burners
- Piezo ignition to pilot burners

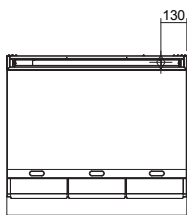
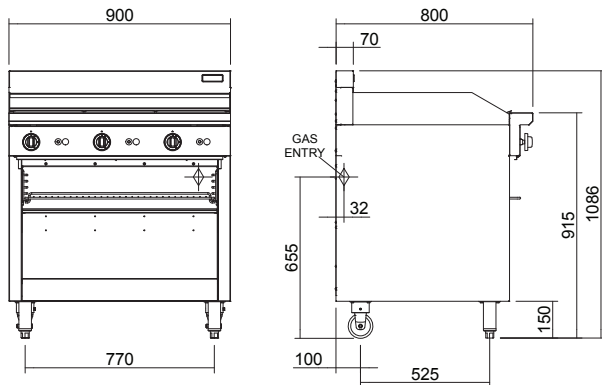
### CLEANING AND SERVICING

- Removable grill rack system, rack supports and crumb tray
- Removable grease trays
- Easy clean stainless steel exterior
- Access to all parts from front of unit

- 900mm wide
- Stainless steel finish
- 3 x 21MJ/hr burners
- Variable heat triple gas controls
- Flame failure protection with continuous pilot burner and piezo ignition
- 12mm thick griddle plate
- 5-position toasting rack
- Full width grease trough and removable collection trays
- Open cabinet base for extra storage
- Adjustable front feet and rear rollers



# Gas Griddle Toaster 900mm



CT9

## SPECIFICATIONS

### Burners

3 x 21MJ/hr, 5.8kW tubular burners with grill radiants

### Gas power (gross)

63MJ/hr, 16.5kW

### Cooking surface

890mm x 520mm, 4628cm<sup>2</sup>

### Toaster dimensions

Rack size 770mm x 430mm

Rack positions 5

### Gas connection

R 1/2 (BSP) male

130mm from RH side, 32mm from rear, and 655mm from floor

All units supplied with Natural and LP gas regulator

### Dimensions

Width 900mm

Depth 800mm

Height 915mm

Incl. splashback 1085mm

### Nett weight

140kg

### Packing data

1.02m<sup>3</sup>, 205kg

Width 940mm

Depth 865mm

Height 1255mm

## Gas types

Available in Natural gas and LP gas, please specify when ordering  
Other gas types on request



[moffat.com.au](http://moffat.com.au)

[moffat.co.nz](http://moffat.co.nz)

## Australia

[moffat.com.au](http://moffat.com.au)

## Moffat Pty Limited

Victoria/Tasmania  
740 Springvale Road  
Mulgrave, Victoria 3170  
Telephone +613-9518 3888  
Facsimile +613-9518 3833  
[vsales@moffat.com.au](mailto:vsales@moffat.com.au)

## New South Wales

Telephone +612-8833 4111  
[nswsales@moffat.com.au](mailto:nswsales@moffat.com.au)

## South Australia

Telephone +613-9518 3888  
[vsales@moffat.com.au](mailto:vsales@moffat.com.au)

## Queensland

Telephone +617-3630 8600  
[qldsales@moffat.com.au](mailto:qldsales@moffat.com.au)

## Western Australia

Telephone +61 8-9413 2400  
[wasales@moffat.com.au](mailto:wasales@moffat.com.au)

## New Zealand

[moffat.co.nz](http://moffat.co.nz)

## Moffat Limited

Rolleston

45 Illinois Drive

Izone Business Hub

Rolleston 7675

Telephone +64 3-983 6600

Facsimile +64 3-983 6660

[sales@moffat.co.nz](mailto:sales@moffat.co.nz)

Auckland

Telephone +64 9-574 3150

[sales@moffat.co.nz](mailto:sales@moffat.co.nz)



ISO9001  
Quality  
Management  
Standard



Cert. No. 6869G

In line with policy to continually develop and improve its products, Moffat Limited reserves the right to change specifications and design without notice.

© Copyright Moffat Ltd  
AN.C.SS.01.17

an Ali Group Company



The Spirit of Excellence