

## Gas Waterless Wok 1800mm

CW3H-CCC - 3 hole - 3 Chimney burners  
 CW3H-CCD - 3 hole - 2 Chimney burners 1 Duckbill burner  
 CW3H-CDD - 3 hole - 1 Chimney burner 2 Duckbill burners  
 CW3H-DDD - 3 hole - 3 Duckbill burners



### OVERALL CONSTRUCTION

- Welded frame full chassis
- Welded frame double skin wok deck
- Fully insulated wok deck
- Stainless steel exterior finish
- Heavy-duty cast iron wok rings (removable)
- Stainless steel spill trays
- 50mm dia. stainless steel legs with adjustable feet

### CONTROLS

- Pilot On/Off control with flame failure valve each burner
- Main burner On/Off valve with High-Low burner adjustment each burner
- Quarter turn main burner control handles
- Quarter turn water valve handle

### CLEANING AND SERVICING

- Stainless steel exterior finish
- Lift out wok rings for full cleaning ability
- Slide out spill trays for each wok hole
- Rear waste channel with removable grate for debris collection
- Access to all parts from front and top for servicing

- 800mm compact depth
- Cobra suite matching
- Waterless wok deck
- 14" wok hole
- Duckbill and Chimney burner model options
- 105 MJ/hr 18 jet Duckbill burners<sup>1</sup>
- 95 MJ/hr 24 jet Chimney burners<sup>2</sup>
- High splashback with shelf
- Water laundry swivel arm on splashback
- Rear waste channel
- Stainless steel spill trays
- Lift out wok rings
- Flame failure protection with pilot burner on each wok burner
- Wok rest accessory included - qty 2



Duckbill burner



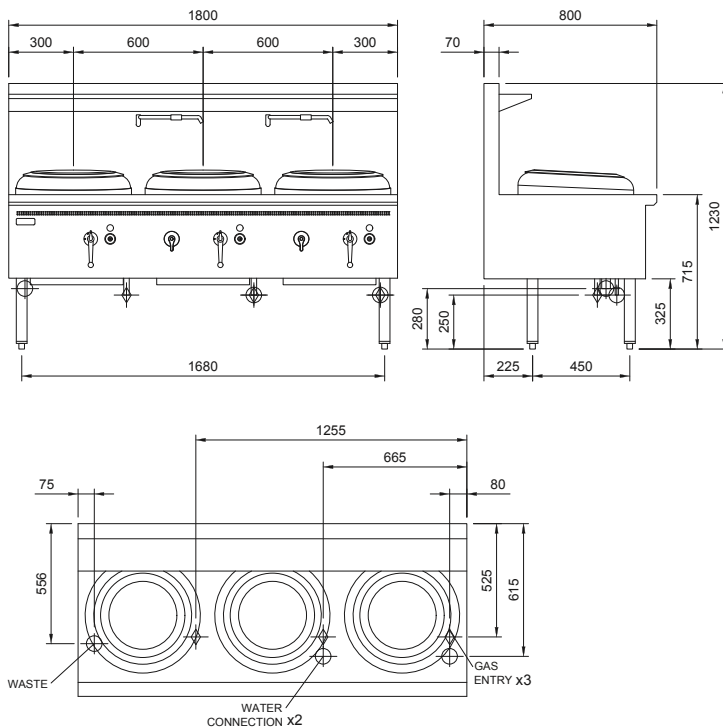
Chimney burner

<sup>1</sup> NZ models Duckbill burner rating 105MJ/hr Natural Gas / 85MJ/hr on LP gas.

<sup>2</sup> NZ models Chimney burners available Natural Gas only.



# Gas Waterless Wok 1800mm



## SPECIFICATIONS

### Burners

95MJ/hr 24 jet Chimney burner  
(NZ - Chimney burners available  
Natural Gas only)  
105MJ/hr 18 jet Duckbill burner  
(NZ - LP gas rating 85 MJ/hr)

### Gas Rating - Total

CW3H-CCC 285 MJ/hr  
(NZ - available Natural Gas only)  
CW3H-CCD 295 MJ/hr  
(NZ - available Natural Gas only)  
CW3H-CDD 305 MJ/hr  
(NZ - available Natural Gas only)  
CW3H-DDD 315 MJ/hr  
(NZ- LP gas rating 255 MJ/hr)

### Wok size

14" wok ring  
Suits woks 40-60cm / 16-24"

### Gas connections (3)

Separate gas connection for each wok hole  
R3/4 (BSP) male each wok hole  
525mm for rear, 250mm from floor  
80mm and 665mm and 1255mm  
from RH side  
All units supplied with Natural-LP gas  
regulators for each wok connection.  
Supplied gas regulators include Test Point  
for appliance operating pressure.  
Supplied regulator(s) must be fitted to  
each appliance gas connection when  
installed.

### Water connections (2)

Cold water connection  
2 x 1/2" copper tube  
615mm from rear, 250mm from floor  
665mm and 1255mm RH side

### Drain connection

Connection to waste drain or drain to  
collection vessel  
1-1/4" BSP drain waste  
556mm from rear, 280mm from floor,  
75mm from LH side

### Dimensions

Width 1800mm  
Depth 800mm  
Height 715mm  
Incl. splashback 1230mm

### Nett weight

212kg

### Packing data

2.4m3, 280kg  
Width 1900mm  
Depth 900mm  
Height 1400mm

### Gas types

Available in Natural gas and LP gas,  
please specify when ordering.

**Note:** Chimney Burner model options only  
available on Natural gas models in New  
Zealand.



moffat.com.au  
moffat.co.nz

Australia  
moffat.com.au

Moffat Pty Limited

Victoria/Tasmania  
740 Springvale Road  
Mulgrave, Victoria 3170  
Telephone +613-9518 3888  
Facsimile +613-9518 3833  
vsales@moffat.com.au

New South Wales  
Telephone +612-8833 4111  
nswsales@moffat.com.au

South Australia  
Telephone -613-9518 3888  
vsales@moffat.com.au

Queensland  
Telephone +617-3630 8600  
qldsales@moffat.com.au

Western Australia  
Telephone +61 8-9413 2400  
wasales@moffat.com.au

New Zealand  
moffat.co.nz

Moffat Limited

Rolleston  
45 Illinois Drive  
Izone Business Hub  
Rolleston 7675  
Telephone +64 3-983 6600  
Facsimile +64 3-983 6660  
sales@moffat.co.nz

Auckland  
Telephone +64 9-574 3150  
sales@moffat.co.nz



ISO9001  
Quality  
Management  
Standard



Cert. No. 8593G

In line with policy to continually develop  
and improve its products, Moffat Limited  
reserves the right to change  
specifications and design without notice.

© Copyright Moffat Ltd  
AN.C.SS.1701

an Ali Group Company



The Spirit of Excellence